

## TECHNICAL INFORMATIONS

# AGAVE GU10 IP66

## SUPORTE GU10 BLACK

Linha de jardim com design moderno. Materiais em plástico ABS PC.

Garden line with modern design. Made of ABS PC plastic.

Linha de jardín de diseño moderno. Elaborado en plástico ABS PC.

**ILAR-00339**



REFERENCE	
Reference	AGAVE SUPORTE GU10
Base	-
Body Material	ABS & PC
Housing Colour	Black
Nominal Lifetime (EOL end of life)	-
Surface/Recessed	Recessed
Dimmable	NO

DIMENSION & WEIGHT	
Lenght	Ø60mm
Width	110mm
Height	300mm
Packaging Unit	20pcs
Gross Weight	5 kg
Volume	21 dm <sup>3</sup>

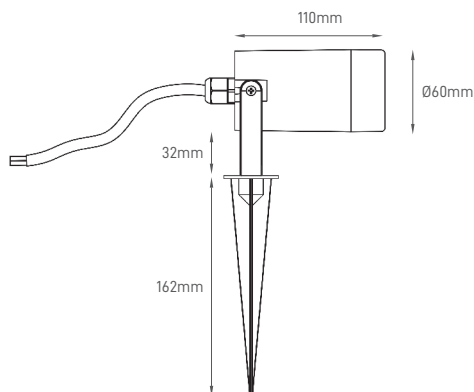
PHOTOMETRICAL DATA	
Total Luminous Flux	-
Luminous Efficacy	-
Beam Angle	-
Colour Temperature	-
Colour Rendering Index	-

ELECTRICAL AND OPERATING DATA	
Nominal Wattage	-
Nominal Voltage	220-240V
Operating Frequency	50/60Hz
Operating Temperature	-25° C to +45° C
Starting Time 100% ON	-
ON/OFF Cycles	-

ENERGY LABEL & STANDARS	
Energy Label	A+
Energy Consumption KWH/1000H	-
Type of Protection	IP66
Protection Class	II
Protecion Class IK (shock resistance)	IK06

CERTIFICATIONS	
2014/30/EU (EMC Directive)	-
2014/35/EU (LVD Directive)	YES
ROHS	YES
Warranty	3 YEARS

### SIZE



Designed by Aron Light in Portugal. Made in PRC

